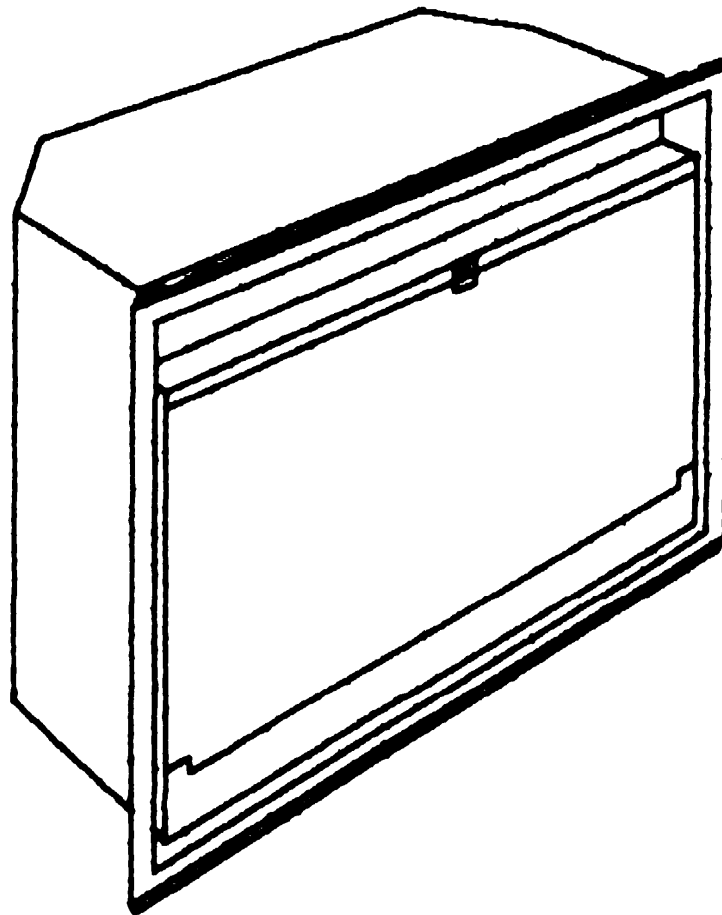


PARTS AND SERVICE MANUAL FOR THE 36" FIREPLACE

MODEL NUMBER:

BF3600



 Dimplex®

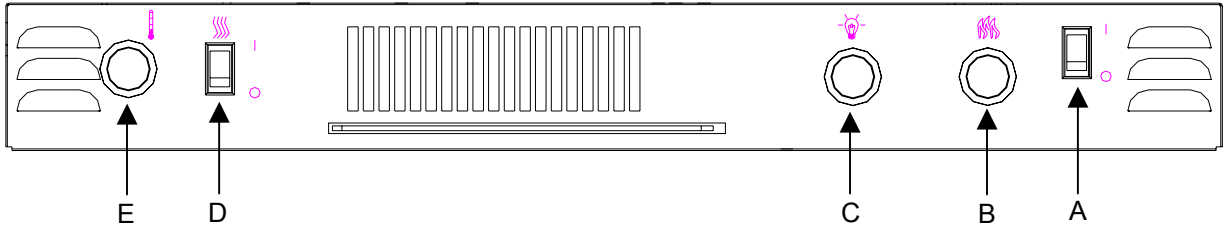
TABLE OF CONTENTS

OPERATION	PAGE 1
PARTS DRAWING	PAGE 3
PARTS LIST	PAGE 4
WIRING DIAGRAM	PAGE 5
LIGHT BULB REPLACEMENT	PAGE 5
MAIN ON/OFF SWITCH REPLACEMENT	PAGE 7
LIGHT DIMMER SWITCH REPLACEMENT	PAGE 8
FLAME SPEED CONTROL REPLACEMENT	PAGE 9
FLAME MOTOR/FLAME ROD REPLACEMENT	PAGE 10
HEATER ON/OFF SWITCH REPLACEMENT	PAGE 12
HEATER THERMOSTAT CONTROL	PAGE 13
HEATER ASSEMBLY REPLACEMENT	PAGE 14
CORD SET REPLACEMENT	PAGE 15

OPERATION

This section will explain the function of each convenient control.

To access the controls, open the upper grill by pulling, near the top right hand side, forward and down.



A. MAIN ON/OFF SWITCH

The main on/off switch supplies power to all fireplace functions (heater & flame).

B. FLAME SPEED CONTROL

Turn the flame speed control knob to adjust the flame speed.

C. DIMMER CONTROL

Turn the flame brightness control to increase or decrease the brightness of the embers.

D. HEATER ON/OFF SWITCH

The heater on/off switch supplies power to the heating unit when the main on/off switch (A) is in the "ON" position.

E. HEATER THERMOSTAT CONTROL

To adjust the temperature to your individual requirements, turn the thermostat control clockwise all the way to turn on the heater. When the room reached the desired temperature, turn the thermostat knob counter clockwise until you hear a click. Leave in this position to maintain the room temperature at this setting. For additional heat, turn clockwise until you hear the click again and the heater will turn on.

NOTE: The heater may emit a slight, harmless odor when first used. This odor is a normal condition caused by initial heating of internal heater parts and will not occur again.

RESETTING THE TEMPERATURE CUTOFF SWITCH

This unit is equipped with a thermostat which controls the temperature of the room. It does this by turning the heater on and off. The heater is protected with a safety device to prevent overheating. Should the heater overheat, an automatic cut out will turn the heater off and it will not come back on without being reset. It can be reset by switching the main ON/OFF switch to OFF and waiting 5 minutes before switching the unit back ON.

CAUTION

If you need to continuously reset the heater, unplug the unit and call your local dealer.

OPTIONAL REMOTE CONTROL

The remote control has a range of approximately 50ft. (15.25m) it does not have to be pointed at the fireplace and can pass through most obstacles (including walls). It is supplied with one of 243 independent frequencies to prevent interference with other units. The frequency designation is indicated on the back of the transmitter (FIGURE 3)

REMOTE CONTROL INSTALLATION

1. Plug fireplace cordset into the outlet located on the side of the receiver. (FIGURE 2)
2. Plug receiver into the wall outlet.
3. Install a 9 volt battery into the transmitter. (FIGURE 3)

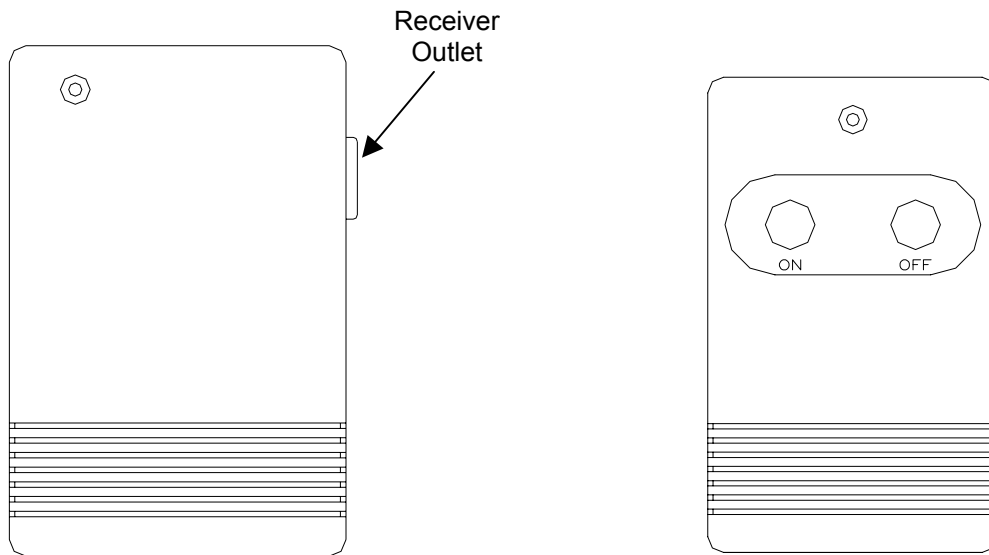


FIGURE 2

NOTE

- Fireplace MAIN on/off switch must be in the ON position prior to using the Remote Control.
- ON/OFF Remote Control may be used to control most other electrical devices including T.V.'s, stereos and lamps.

CAUTION

- For indoor use in dry areas only
- For use on electrical devices with 15 amp resistive load or 1/3 HP inductive load
- 120 volt AC only

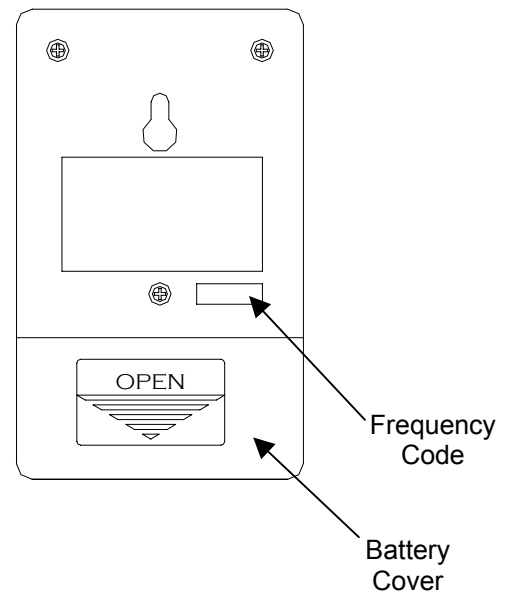
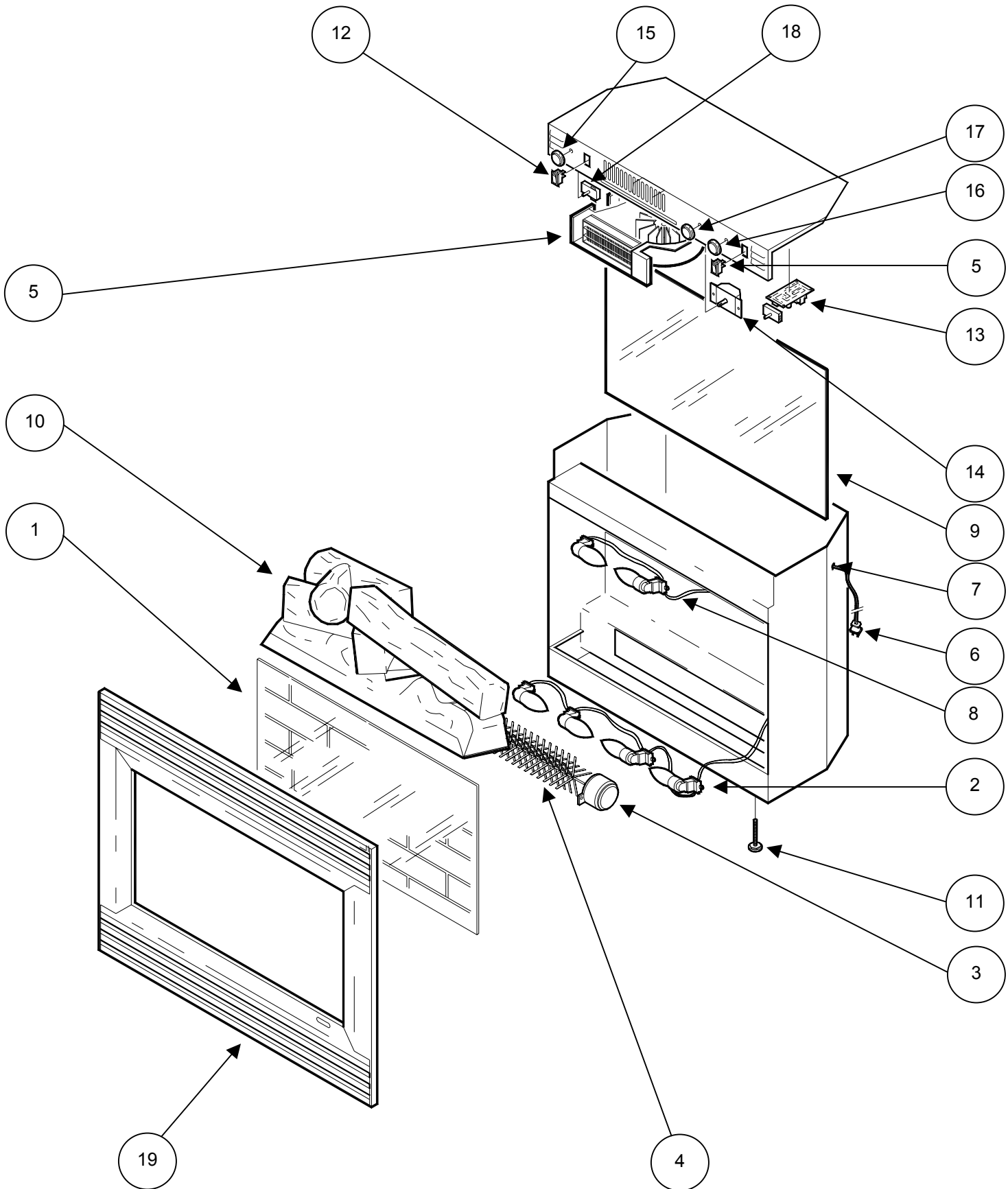


FIGURE 3

BF3600



BF3600

REPLACEMENT PARTS

FIREPLACE 36"

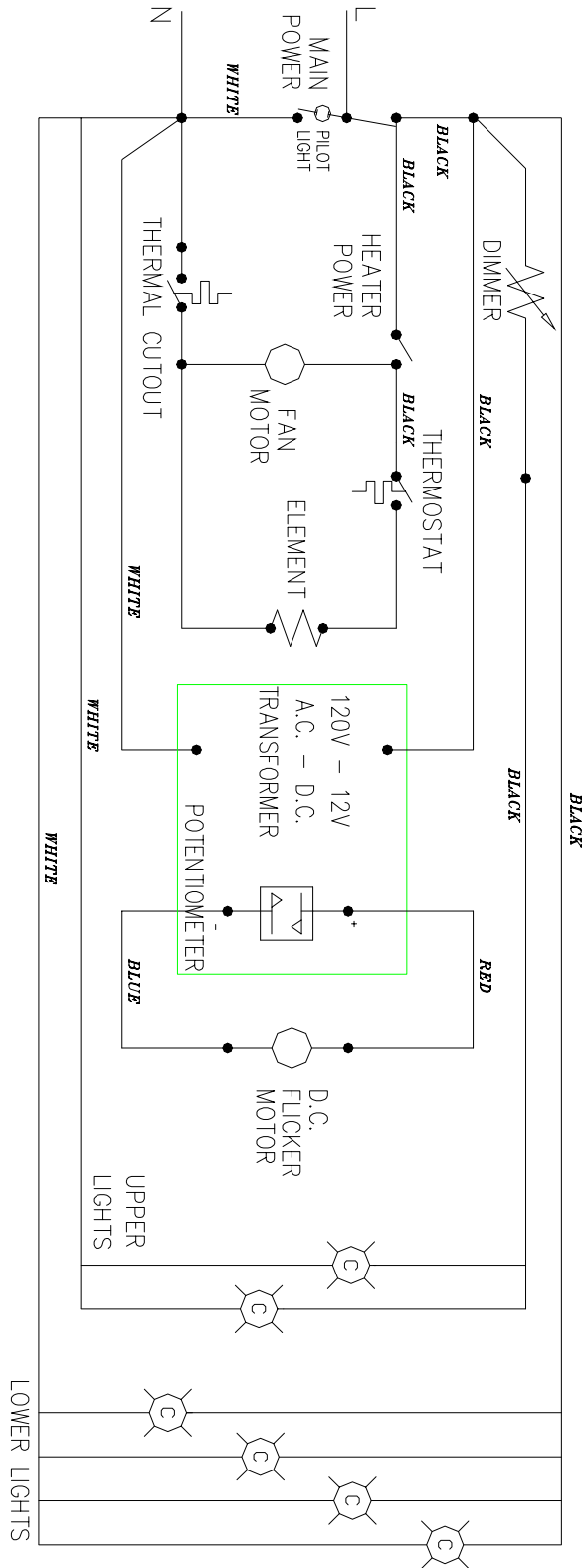
REPLACEMENT PART

1. GLASS (GREY BRICK)
2. LOWER LAMPHOLDER ASSEMBLY
3. FLICKER MOTOR
4. REFLECTOR ASSEMBLY
5. HEATER ASSEMBLY
6. CORD SET
7. GROMMET
8. UPPER LAMPHOLDER ASSEMBLY
9. MIRROR
10. LOG SET
11. LEVELLER ADJUSTABLE
12. SWITCH ON/OFF
13. FLAME SPEED CONTROL
14. DIMMER LIGHT CONTROL
15. KNOB, THERMOSTAT
16. KNOB, SPEED CONTROL
17. KNOB, LIGHT DIMMER
18. THERMOSTAT
19. TRIM ASSEMBLY

REPLACEMENT PART NO.

5900100200RP
2500090100RP
3000240200KIT
5900080300RP
2200290400RP
4100040200RP
8500260003RP
2500080100RP
5900060200RP
0438200600RP
8800100100RP
2800070200RP
3000240100RP
2800020100RP
8800000300RP
8800000300RP
8800000800RP
2300150100RP*
6901710159RP

WIRING DIAGRAM



If unit was operating prior to servicing allow at least 10 minutes for light bulbs and heating element to cool off to avoid accidental burning of skin.

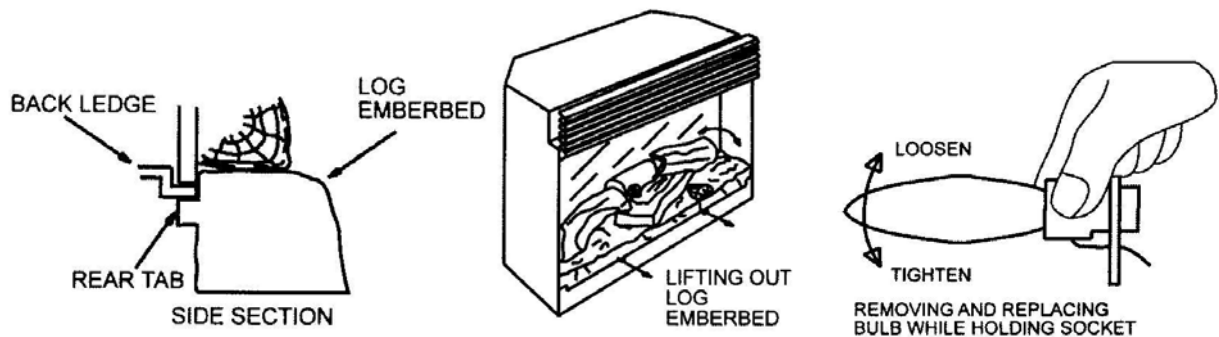
Disconnect power before attempting any maintenance or cleaning to reduce the risk of electric shock or damage to persons.

Light bulbs need to be replaced when you notice a dark section of the flame. There are four bulbs under the log set which generate the flames and embers.

It is a good idea to replace all of the light bulbs at one time if they are close to the end of their rated life. Group replacement will reduce the number of times you need to open the unit to replace the light bulbs.

LOWER BULB REPLACEMENT

1. Remove the trim by grasping both sides of trim and pulling straight up.
2. Hold the glass in place while removing the retaining clip from the upper center of the firebox.
3. Lift glass out and store in a safe place.
4. Lift up the front edge of the log until it clears the front tabs. Pull out until the rear tab clears the back ledge, and then lift out.
5. Examine the bulbs to determine which bulb(s) require(s) replacement.
6. Hold the socket while unscrewing the bulb.
7. Hold the socket while screwing in the new bulb.
8. Replace the log ember bed by placing the back lip of the log ember bed under the mirror then push the front of the log ember bed down into the recess.
9. Reassemble in the reverse order.



LOWER LIGHT BULB REQUIREMENTS

Quantity of 4 clear chandelier or candelabra bulbs with an E-12 (small) socket base, 60 watt rating.

BF3600

If unit was operating prior to servicing allow at least 10 minutes for light bulbs and heating element to cool off to avoid accidental burning of skin.

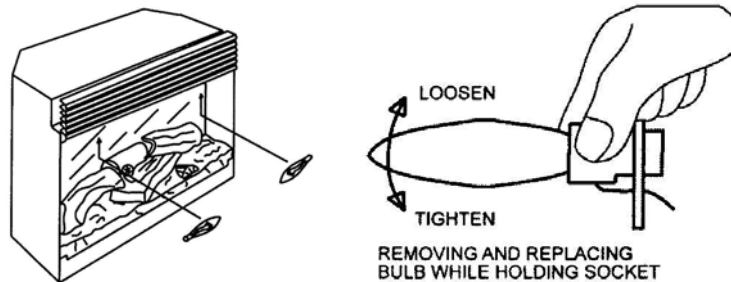
Disconnect power before attempting any maintenance or cleaning to reduce the risk of electric shock or damage to persons.

Light bulbs need to be replaced when you notice a dark section of the flame. There are four bulbs under the log set which generate the flames and embers.

It is a good idea to replace all of the light bulbs at one time if they are close to the end of their rated life. Group replacement will reduce the number of times you need to open the unit to replace the light bulbs.

TO REPLACE UPPER LIGHT BULBS

1. Remove the trim by grasping both sides of trim and pulling straight up.
2. Hold the glass in place while removing the retaining clip from the upper center of the firebox.
3. Lift glass out and store in a safe place.
4. Locate the two upper bulbs inside the firebox at the top.
5. Examine the bulbs to determine which bulb(s) require(s) replacement.
6. Hold the socket while unscrewing the bulb.
7. Hold the socket while screwing in the new bulb.
8. Reassemble in the reverse order.



UPPER LIGHT BULB REQUIREMENTS

Quantity of 2 clear chandelier or candelabra bulbs with an E-12 (small) socket base, 15 watt rating.

BF3600

If the fireplace was operating prior to servicing allow at least 10 minutes for light bulbs and heating element to cool off to avoid accidental burning of skin.

Disconnect power before attempting any maintenance or cleaning to reduce the risk of electric shock or damage to persons.

TO REPLACE MAIN ON/OFF SWITCH

1. Remove the firebox trim by grasping both sides of the trim and pulling straight up.
2. Remove the firebox from the mantel.
3. Remove the (4) retaining screws on the top cover and remove the top, placing it upside down on the top of the unit being careful not to damage any of the wiring.
4. Locate the main on/off switch mounted on the top panel and disconnect the wiring clips and connections noting their original locations.
5. Depress the retainer clips on the rear of the switch and push the switch out of the rear cover.
6. Properly orientate the new switch and connect all of the wiring clips and connections.
7. Align the top cover with the cabinet assembly and secure with (4) retaining screws.
8. Place the firebox in the mantel.
9. Place trim back on firebox by opening grill, grasping both sides of trim, and hook the trim down into the trim slots.
NOTE: The trim slots are located on the front surface of the firebox.
10. Close the grill.

BF3600

If the fireplace was operating prior to servicing allow at least 10 minutes for light bulbs and heating element to cool off to avoid accidental burning of skin.

Disconnect power before attempting any maintenance or cleaning to reduce the risk of electric shock or damage to persons.

TO REPLACE LIGHT DIMMER SWITCH

1. Remove the firebox trim by grasping both sides of the trim and pulling straight up.
2. Remove the firebox from the mantel.
3. Remove the (4) retaining screws on the top cover and remove the top, placing it upside down on the top of the unit being careful not to damage any of the wiring.
4. Locate the light dimmer switch mounted on the top panel and disconnect the wiring connections noting their original locations.
5. Pull off the light dimmer control knob.
6. Remove the (2) dimmer switch mounting screws from the front face of the top cover and remove the switch.
7. Properly orientate the new dimmer switch and connect all of the wiring connections.
8. Install dimmer switch to the front face of the top cover with (2) mounting screws and put the light dimmer switch control knob on the control arm.
9. Align the top cover with the cabinet assembly and secure with (4) retaining screws.
10. Place the firebox in the mantel.
11. Place trim back on firebox by opening grill, grasping both sides of trim, and hook the trim down into the trim slots.
NOTE: The trim slots are located on the front surface of the firebox.
12. Close the grill.

BF3600

If the fireplace was operating prior to servicing allow at least 10 minutes for light bulbs and heating element to cool off to avoid accidental burning of skin.

Disconnect power before attempting any maintenance or cleaning to reduce the risk of electric shock or damage to persons.

TO REPLACE FLAME SPEED CONTROL

1. Remove the firebox trim by grasping both sides of the trim and pulling straight up.
2. Remove the firebox from the mantel.
3. Remove the (4) retaining screws on the top cover and remove the top, placing it upside down on the top of the unit being careful not to damage any of the wiring.
4. Locate the flame speed control mounted on the top panel and disconnect the wiring clips and connections noting their original locations.
5. Pull off the flame speed control knob to expose the mounting nut.
6. Unscrew the mounting nut.
7. From under the panel, break off the four mounting studs on the flame speed control by grasping with pliers and twisting on the protruding part of the stud, push the remainder of the studs out through the top panel.
NOTE: New mounting studs are supplied with the replacement speed control.
8. Properly orientate the new flame speed control and secure flame speed control to unit with the included plastic mounting studs.
9. Connect all of the wiring connections to the flame speed control.
10. Screw the mounting nut on the control arm and put the flame speed control knob on the control arm.
11. Align the top cover with the cabinet assembly and secure with (4) retaining screws.
12. Place the firebox in the mantel.
13. Place trim back on firebox by opening grill, grasping both sides of trim, and hook the trim down into the trim slots.
NOTE: The trim slots are located on the front surface of the firebox.
14. Close the grill.

BF3600

If the fireplace was operating prior to servicing allow at least 10 minutes for light bulbs and heating element to cool off to avoid accidental burning of skin.

Disconnect power before attempting any maintenance or cleaning to reduce the risk of electric shock or damage to persons.

TO REPLACE FLAME MOTOR/FLAME ROD

1. Remove the firebox trim by grasping both sides of the trim and pulling straight up.
2. Remove the front glass retaining clip.
3. Remove the front glass and set aside.
4. Remove the log set by lifting up the front edge of the log until it clears the front tabs. Pull out until the rear tab clears the back ledge, then lift out.
5. Remove the firebox from the mantel and unplug.
6. Remove (2) screws from the bottom panel located on the back assembly.
7. Lay unit on back.
8. Remove the (2) remaining screws from the bottom panel located on the left and right sides.
9. Remove the bottom panel and set aside.
10. Remove (1) screw from the motor bracket located in the flame panel.
11. Remove flicker motor assembly by pulling flicker motor towards you and by removing bracket from slot located in back panel.
12. Remove (2) screws securing the flicker motor to the flicker motor bracket.
13. Cut the flicker motor wires close to the flicker motor end with wire cutters.
14. Remove reflector rod from flicker motor by bending the rod down 90° and cutting the reflector spring with wire cutters. **DO NOT TAKE THE LEFTOVER SPRING OFF OF THE END OF THE REFLECTOR ROD**
15. Discard old flicker motor.
16. Pick up the 1 ½" rubber sleeve and locate over remaining spring on reflector rod. **ENSURE TO LOCATE THE LARGE OPENING OF THE BLACK CYLINDER OVER THE REMAINING SPRING OF REFLECTOR ROD.**
17. Pick up new flicker motor and cut wire leads to 3 ½" long with wire cutters.

BF3600

If the fireplace was operating prior to servicing allow at least 10 minutes for light bulbs and heating element to cool off to avoid accidental burning of skin.

Disconnect power before attempting any maintenance or cleaning to reduce the risk of electric shock or damage to persons.

TO REPLACE FLAME MOTOR/FLAME ROD

18. Secure new flicker motor to the existing reflector rod. Ensure the flicker motor bracket is in between the motor and reflector rod.

19. Pick up wire connector and place (1) yellow wire into each terminal.
(total of 2 yellow wires)

20. Secure wire connector by crimping the 3M symbol with slip joint pliers.

21. Pull on end of wires to ensure a strong connection.

22. Repeat the process for the (4) remaining wires. (red, blue, orange, grey)
ENSURE THAT ALL CONNECTORS HAVE THE SAME WIRE COLOURS

23. Reassemble in the reverse order.

BF3600

If the fireplace was operating prior to servicing allow at least 10 minutes for light bulbs and heating element to cool off to avoid accidental burning of skin.

Disconnect power before attempting any maintenance or cleaning to reduce the risk of electric shock or damage to persons.

TO REPLACE HEATER ON/OFF SWITCH

1. Remove the firebox trim by grasping both sides of the trim and pulling straight up.
2. Remove the firebox from the mantel.
3. Remove the (4) retaining screws on the top cover and remove the top, placing it upside down on the top of the unit being careful not to damage any of the wiring.
4. Locate the heater on/off switch mounted on the top panel and disconnect the wiring clips and connections noting their original locations.
5. Depress the retainer clips on the rear of the switch and push the switch out of the rear cover.
6. Properly orientate the new switch and connect all of the wiring clips and connections.
7. Align the top cover with the cabinet assembly and secure with (4) retaining screws.
8. Place the firebox in the mantel.
9. Place trim back on firebox by opening grill, grasping both sides of trim, and hook the trim down into the trim slots.
NOTE: The trim slots are located on the front surface of the firebox.
10. Close the grill.

BF3600

If the fireplace was operating prior to servicing allow at least 10 minutes for light bulbs and heating element to cool off to avoid accidental burning of skin.

Disconnect power before attempting any maintenance or cleaning to reduce the risk of electric shock or damage to persons.

TO REPLACE HEATER THERMOSTAT CONTROL

1. Remove the firebox trim by grasping both sides of the trim and pulling straight up.
2. Remove the firebox from the mantel.
3. Remove the (4) retaining screws on the top cover and remove the top, placing it upside down on the top of the unit being careful not to damage any of the wiring.
4. Locate the thermostat control mounted on the top panel and disconnect the wiring clips and connections noting their original locations.
5. Pull off the thermostat control knob to expose the mounting screws.
6. Remove the mounting screws and remove the heater thermostat control.
7. Properly orientate the new heater thermostat control and connect all of the wiring connections.
8. Reassemble in the reverse order as above.

BF3600

If the fireplace was operating prior to servicing allow at least 10 minutes for light bulbs and heating element to cool off to avoid accidental burning of skin.

Disconnect power before attempting any maintenance or cleaning to reduce the risk of electric shock or damage to persons.

TO REPLACE HEATER ASSEMBLY

1. Remove the firebox trim by grasping both sides of the trim and pulling straight up.
2. Remove the firebox from the mantel.
3. Remove the (4) retaining screws on the top cover and remove the top, placing it upside down on the top of the unit being careful not to damage any of the wiring.
4. Locate the heater assembly mounted on the top panel and disconnect the wiring clips and connections noting their original locations.
NOTE: A small slot screwdriver is required to remove some of the heater connections.
5. Turn the top over, remove the heater mounting screws and remove the heater assembly by sliding it back to release mounting tabs.
6. Properly orientate the new heater assembly and connect all of the wiring connections.
7. Reassemble in the reverse order as above.

BF3600

If the fireplace was operating prior to servicing allow at least 10 minutes for light bulbs and heating element to cool off to avoid accidental burning of skin.

Disconnect power before attempting any maintenance or cleaning to reduce the risk of electric shock or damage to persons.

TO REPLACE THE CORD SET

1. Remove the firebox trim by grasping both sides of the trim and pulling straight up.
2. Remove the firebox from the mantel.
3. Remove the (4) retaining screws on the top cover and remove the top, placing it upside down on the top of the unit being careful not to damage any of the wiring.
4. Locate and disconnect the power cord wiring connections noting their original locations.
5. With needle nose pliers grasp the power cord strain relief grommet from inside the rear of the heater panel and push while twisting to remove.
6. Pull the power cord out through the hole in the rear of the top heater pan.
7. Install the new power cord through the hole in the rear cover and connect all of the wiring connections in their original locations.
8. Install the power cord strain relief grommet on the replacement power cord and insert into the mounting hole in the rear of the top heater pan.

WARNING: Ensure wires do not come in contact with moving parts by securing wires in wiring tie wraps.

9. Reassemble in the reverse order as above.