



North America Limited

**PRACTICAL USER'S GUIDE  
FOR THE ELECTRIC WALL MOUNTED  
FIREPLACE**

**MODEL NUMBER:**

**EWM-COPPER**

**EWM-SS-BLK**

Quality checked by:

*Valued Customer,*

*We are pleased that you have chosen to purchase an electric fireplace  
manufactured by Dimplex North America Limited.*

7205780200REV00

## **CONTENTS**

**PAGE 1**

**Important Instructions**

**PAGE 2**

**Wall Mount Installation**

**PAGE 6**

**Operation**

**PAGE 7**

**Maintenance**

**PAGE 9**

**Warranty**

## **QUICK REFERENCE GUIDE FOR THE ELECTRIC WALL MOUNT FIREPLACE**

- 1. Before using the electric wall mounted fireplace verify:**
  - **Are the circuit breakers for the unit on?**
  - **Are the light bulbs loose? (to check, follow the instructions for replacing the light bulbs under the maintenance section of this manual)**
- 2. The heater may emit a slight, harmless odor when first used. This odor is a normal condition caused by the initial heating of internal heater parts.**
- 3. The information regarding the model of your unit can be found on the rating plate located on the back of the unit.**
- 4. If you have any questions or concerns regarding the operation of your fireplace, contact Dimplex customer service at 1-888-DIMPLEX (1-888-346-7539).**

# IMPORTANT INSTRUCTIONS

## RETAIN THIS USER'S GUIDE FOR FUTURE REFERENCE

When using electrical appliances, basic precautions should always be followed to reduce the risk of fire, electric shock, and injury to persons.

1. Read all instructions before using the wall mounted electric fireplace.
2. The heater is hot when in use. To avoid burns, do not let bare skin touch hot surfaces. The trim around the heater outlet becomes hot during heater operation. Keep combustible materials, such as furniture, pillows, bedding, papers, clothes, and curtains at least 3 feet (0.9m) from the front of the unit.
3. Extreme caution is necessary when any heater is used by or near children or invalids and whenever the unit is left operating and unattended.
4. Always unplug the wall mounted electric fireplace when not in use.
5. Do not operate with a damaged cord or plug, or if the heater has malfunctioned, or if the wall mounted electric fireplace has been dropped or damaged in any manner. Return heater to authorized service facility for examination, electrical or mechanical adjustment, or repair.
6. Do not use outdoors.
7. The wall mounted electric fireplace is not intended for use in bathrooms, laundry areas and similar indoor locations. Never locate heater where it may fall into a bathtub or other water container.
8. Do not run the cord under carpeting. Do not cover cord with throw rugs, runners, or the like. Arrange cord away from traffic area and where it will not be tripped over.
9. To disconnect the unit, turn the controls off, then remove the plug from the outlet.
10. Do not insert or allow foreign objects to enter any ventilation or exhaust opening as this may cause an electric shock or fire, or damage to the heater.
11. To prevent a possible fire, do not block air intake or exhaust in any manner. Do not use on soft surfaces, like a bed, where openings may become blocked.
12. All electrical heaters have hot and arching or sparking parts inside. Do not use in areas where gasoline, paint, or flammable liquids are used or stored or where the unit will be exposed to flammable vapors.
13. Do not modify the wall mounted electric fireplace. Use it only as described in this manual. Any other use not recommended by the manufacturer may cause fire, electric shock or injury to persons.
14. To reduce the risk of electric shock, this appliance has a polarized plug (one blade is wider than the other). The plug will fit in a polarized outlet only one way. If the plug does not fit fully in the outlet, reverse the plug. If it still does not fit, contact a qualified electrician to install the proper outlet. Do not change the plug in any way. Avoid the use of an extension cord. Extension cords may overheat and cause a risk of fire. If you must use an extension cord, the cord must be No. 16 AWG minimum size and rated no less than 1875 watts.
15. Do not burn wood or other materials in the wall mounted electric fireplace.
16. Do not strike the glass front.
17. Always use a certified electrician should new circuits or outlets be required.
18. Always use properly grounded, fused and polarized outlets.
19. Disconnect all power supply before performing any cleaning, maintenance or relocation of the unit.
20. When transporting or storing the unit and cord, keep in a dry place, free from excessive vibration and store so as to avoid damage.

## SAVE THESE INSTRUCTIONS

**NOTE:** Procedures and techniques that are considered important enough to emphasize.

**CAUTION:** Procedures and techniques which, if not carefully followed, will result in damage to the equipment.

**WARNING:** Procedures and techniques which, if not carefully followed, will expose the user to the risk of fire, serious injury, illness or death.

## NOTE

A 15amp, 120 volt circuit is required. A dedicated circuit is preferred but not essential in all cases. A dedicated circuit will be required if, after installation, the circuit breaker trips or the fuse blows on a regular basis when the heater is operating. Additional appliances on the same circuit may exceed the current rating of the circuit breaker.

## WARNING

Ensure the power cord is not installed so that it is pinched or against a sharp edge and ensure that the power cord is stored or secured to avoid tripping or snagging to reduce the risk of fire, electric shock or injury to persons.

Construction and electrical outlet wiring must comply with local building codes and other applicable regulations to reduce the risk of fire, electric shock and injury to persons.

Do not attempt to wire your own new outlets or circuits. To reduce the risk of fire, electric shock or injury to persons, always use a licensed electrician.

## WARNING

Remove the protective film before use. Operation of the unit without complete removal of the protective film may increase the risk of fire and/or product damage or discoloration.

## WARNING

The supplied mounting bracket is designed for use with Dimplex wall mounted fireplaces only. Improper use, or use for purposes other than intended, may cause damage or injury.

## WALL MOUNTED ELECTRIC FIREPLACE INSTALLATION

### WARNING

Failure to install the wall mounted electric fireplace as instructed below may result in damage to the equipment and or may expose the user to the risk of fire, serious injury, illness or death.

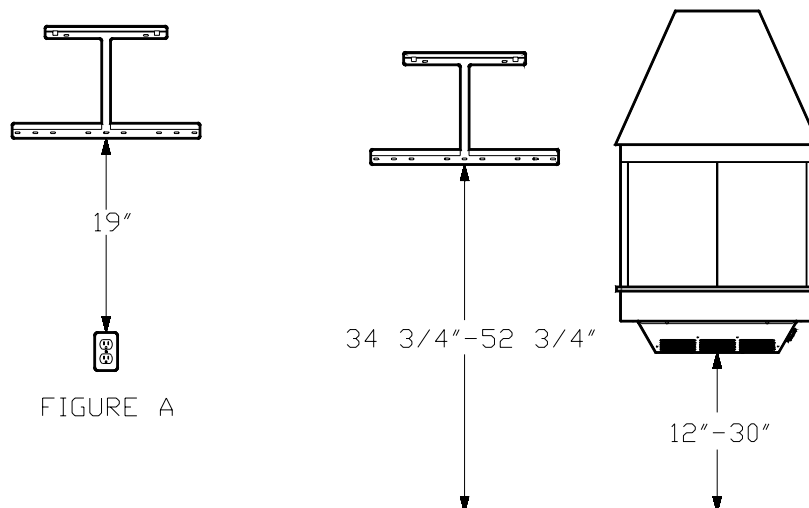
### WARNING

The wall mounted electric fireplace requires the wall mounting bracket screws to be installed into a minimum of one wall stud. (FIGURE 3 & 4)

1. Select the desired location near an electrical outlet.
2. Ensure the front of the unit when installed is at least 3 feet (0.9m) from combustible materials, such as furniture, pillows, bedding, papers, clothes, and curtains.
3. Mount the unit on the wall only with the bottom above an electrical outlet or a minimum of 12" (mounting bracket 34 3/4") above the floor. Access to the electrical outlet must be maintained. Ensure the installation meets the national and state/provincial electrical codes.

NOTE: It is recommended that the bottom of the unit not be mounted higher than 30" from the ground (mounting bracket no higher than 52 3/4").

4. To mount the unit so that the wall outlet is hidden, mount the bracket 19" above the top of the outlet (FIGURE A).



5. The wall-mounting bracket must be mounted to at least one wall stud (FIGURE 3) or into two wall studs (FIGURE 4)
6. When installing into two studs the wall anchor must be installed into the center location as indicated in FIGURE 3.
7. When installing into one stud, use one of the three center locations as indicated in FIGURE 4. The wall anchors must be installed into the outer most locations as indicated in FIGURE 4.
8. Hold the wall-mounting bracket on the wall and mark the location of ONE of the mounting holes.
9. Install the bubble level onto the top of the wall-mounting bracket. (FIGURE 3 & 4).
10. Adjust the wall-mounting bracket so the bubble on the level is centered between the two black lines.
11. Mark 4 other mounting screw locations on the wall bracket ensuring that the wall bracket stays level.
12. Drill  $\frac{1}{2}$ " holes into the wall on the marked locations where the wall anchors are to be installed. (FIGURE 1)
13. Insert the wall anchor screws through the wall bracket and thread into the wall anchors. The screws should extend beyond the wall anchors. (FIGURE 2)
14. Squeeze the wall anchor together and insert the wall anchors into the  $\frac{1}{2}$ " holes in the wall. Tighten the screws. (FIGURE 2)
15. Install the remaining screws into the wall studs as required.

**Note: At least one of the mounting screws must be installed into a wall stud.**

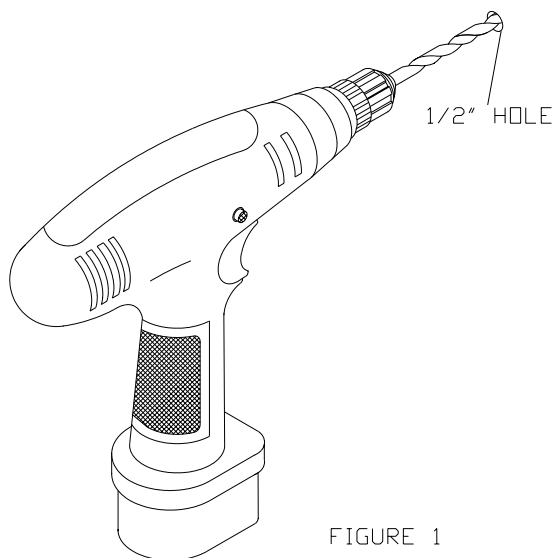


FIGURE 1

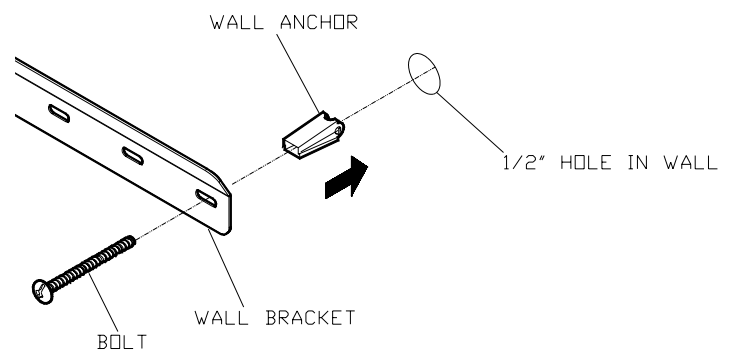


FIGURE 2

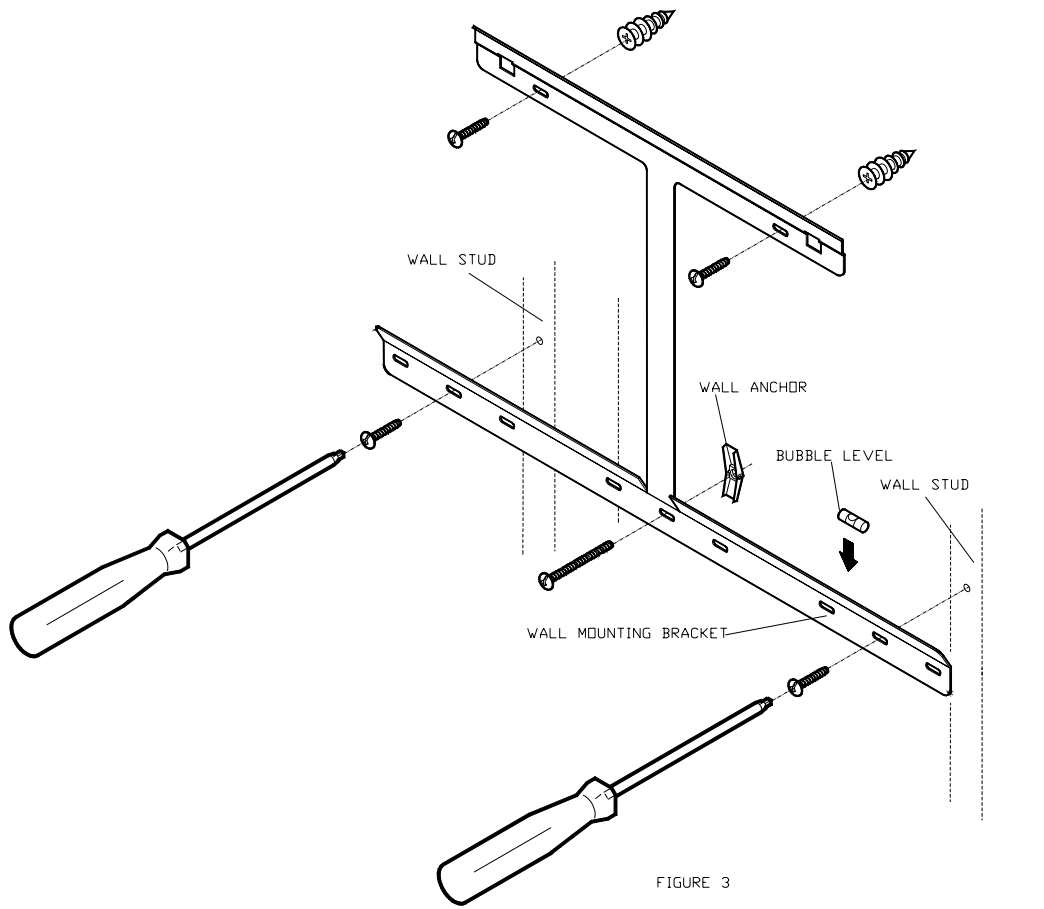


FIGURE 3

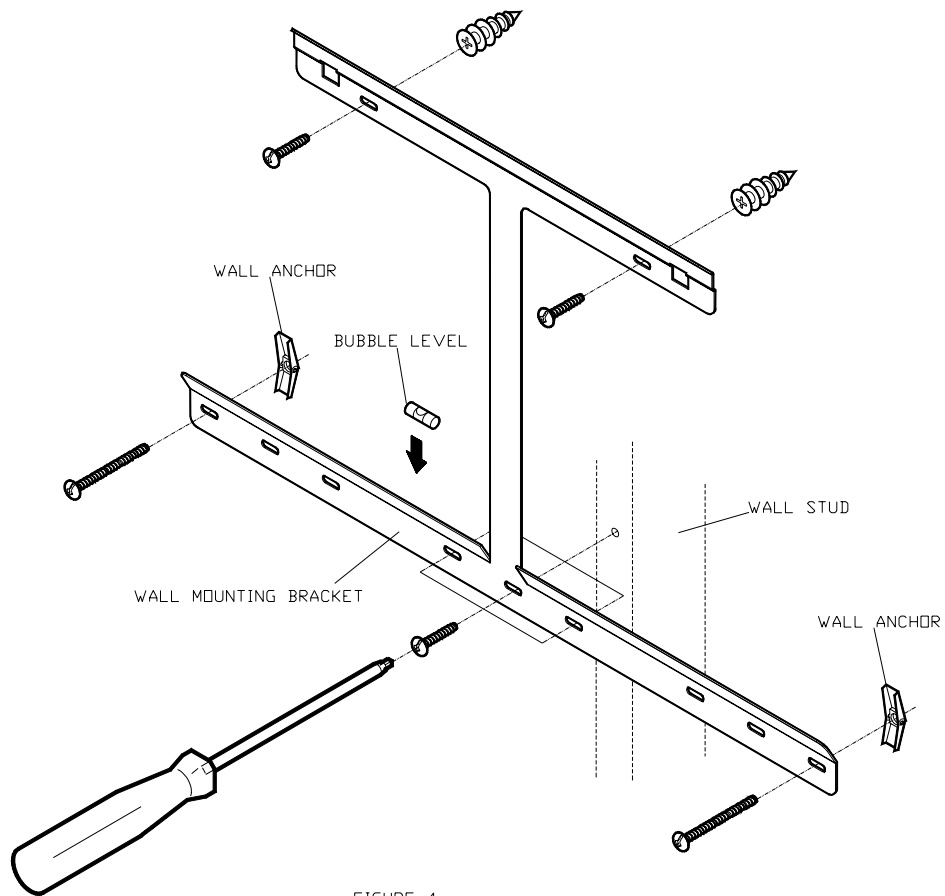


FIGURE 4

# UNIT INSTALLATION

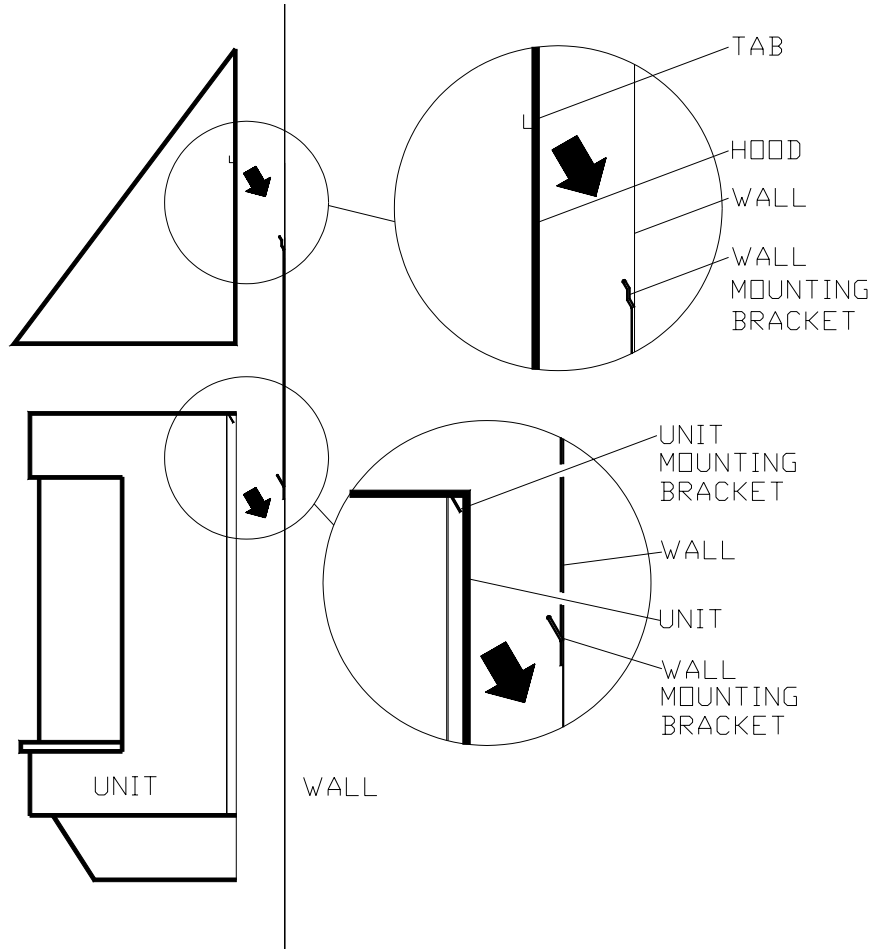


FIGURE 4

## CORD SECURING (VIEW FROM BACK)

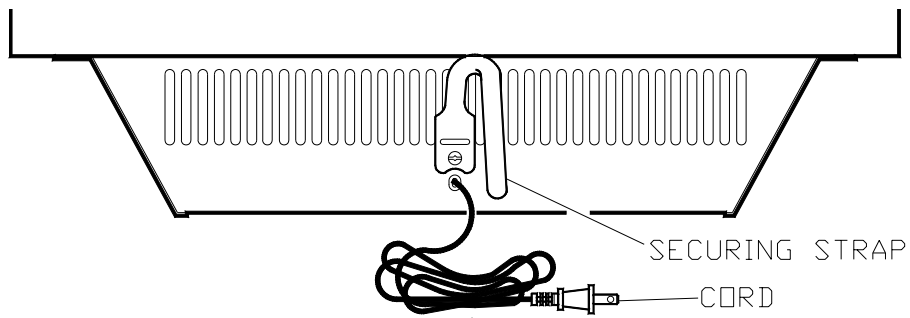


FIGURE 5

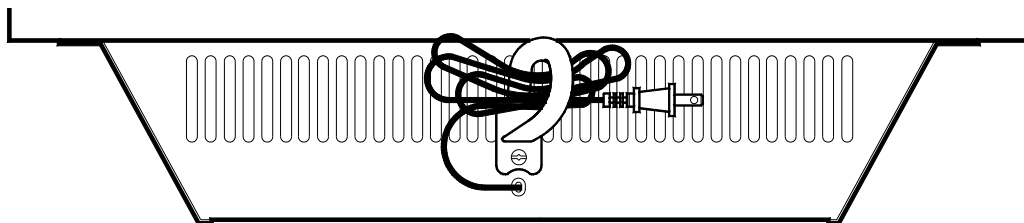


FIGURE 6