



North America Limited

**PRACTICAL USER'S GUIDE
FOR THE CORNER WALL MOUNTED
ELECTRIC FIREPLACE**

MODEL NUMBER:

EWMC-CC-SS

Quality checked by:

Valued Customer,

*We are pleased that you have chosen to purchase an electric fireplace
manufactured by Dimplex North America Limited.*

CONTENTS

PAGE 1	Important Instructions
PAGE 2	Model and Serial Number Information
PAGE 3	Wall Mount Installation
PAGE 8	Operation
PAGE 10	Maintenance
PAGE 12	Warranty

QUICK REFERENCE GUIDE FOR THE ELECTRIC CORNER WALL MOUNT FIREPLACE

- 1. Before using the electric corner wall mounted fireplace verify:**
 - Are the circuit breakers for the unit on?**
 - Are the light bulbs loose? (to check, follow the instructions for replacing the light bulbs under the maintenance section of this manual)**
- 2. The heater may emit a slight, harmless odor when first used. This odor is a normal condition caused by the initial heating of internal heater parts.**
- 3. The information regarding the model of your unit can be found on the rating plate located inside the unit on the top left hand corner above the mirror.**
- 4. If you have any questions or concerns regarding the operation of your fireplace, contact Dimplex customer service at 1-888-DIMPLEX (1-888-346-7539).**

IMPORTANT INSTRUCTIONS

SAVE THESE INSTRUCTIONS

RETAIN THIS USER'S GUIDE FOR FUTURE REFERENCE

When using electrical appliances, basic precautions should always be followed to reduce the risk of fire, electric shock, and injury to persons.

1. Read all instructions before using the corner wall mounted electric fireplace.
2. The heater is hot when in use. To avoid burns, do not let bare skin touch hot surfaces. The trim around the heater outlet becomes hot during heater operation. Keep combustible materials, such as furniture, pillows, bedding, papers, clothes, and curtains at least 3 feet (0.9m) from the front of the unit.
3. Extreme caution is necessary when any heater is used by or near children or invalids and whenever the unit is left operating and unattended.
4. Always unplug the corner wall mounted electric fireplace when not in use.
5. Do not operate with a damaged cord or plug, or if the heater has malfunctioned, or if the wall mounted electric fireplace has been dropped or damaged in any manner. Return heater to authorized service facility for examination, electrical or mechanical adjustment, or repair.
6. Do not use outdoors.
7. The corner wall mounted electric fireplace is not intended for use in bathrooms, laundry areas and similar indoor locations. Never locate heater where it may fall into a bathtub or other water container.
8. Do not run the cord under carpeting. Do not cover cord with throw rugs, runners, or the like. Arrange cord away from traffic area and where it will not be tripped over.
9. To disconnect the unit, turn the controls off, then remove the plug from the outlet.
10. Do not insert or allow foreign objects to enter any ventilation or exhaust opening as this may cause an electric shock or fire, or damage to the heater.
11. To prevent a possible fire, do not block air intake or exhaust in any manner. Do not use on soft surfaces, like a bed, where openings may become blocked.
12. All electrical heaters have hot and arching or sparking parts inside. Do not use in areas where gasoline, paint, or flammable liquids are used or stored or where the unit will be exposed to flammable vapors.
13. Do not modify the corner wall mounted electric fireplace. Use it only as described in this manual. Any other use not recommended by the manufacturer may cause fire, electric shock or injury to persons.
14. To reduce the risk of electric shock, this appliance has a polarized plug (one blade is wider than the other). The plug will fit in a polarized outlet only one way. If the plug does not fit fully in the outlet, reverse the plug. If it still does not fit, contact a qualified electrician to install the proper outlet. Do not change the plug in any way. Avoid the use of an extension cord. Extension cords may overheat and cause a risk of fire. If you must use an extension cord, the cord must be No. 16 AWG minimum size and rated no less than 1875 watts.
15. Do not burn wood or other materials in the corner wall mounted electric fireplace.
16. Do not strike the glass front.
17. Always use a certified electrician should new circuits or outlets be required.
18. Always use properly grounded, fused and polarized outlets.
19. Disconnect all power supply before performing any cleaning, maintenance or relocation of the unit.
20. When transporting or storing the unit and cord, keep in a dry place, free from excessive vibration and store so as to avoid damage.

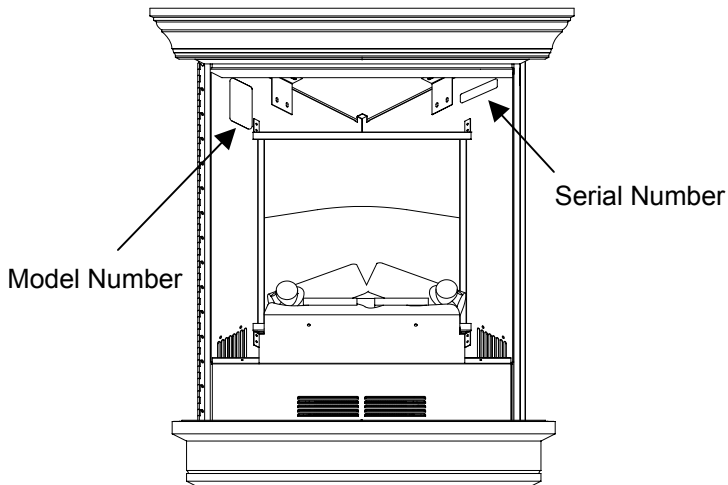
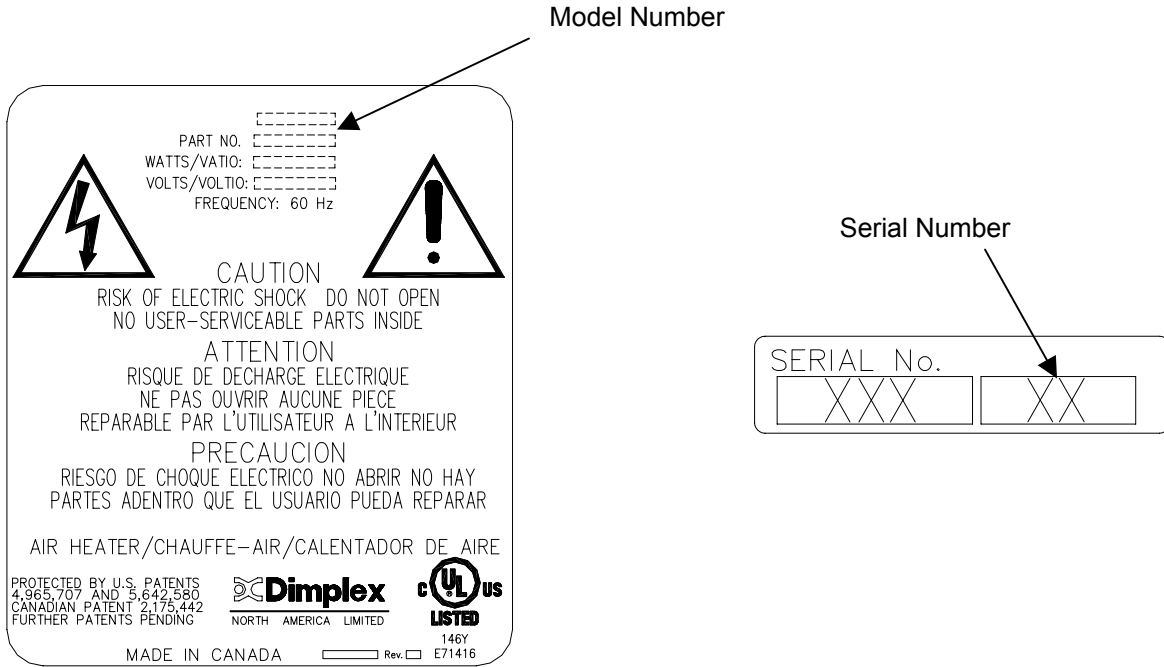
NOTE: Procedures and techniques that are considered important enough to emphasize.

CAUTION: Procedures and techniques which, if not carefully followed, will result in damage to the equipment.

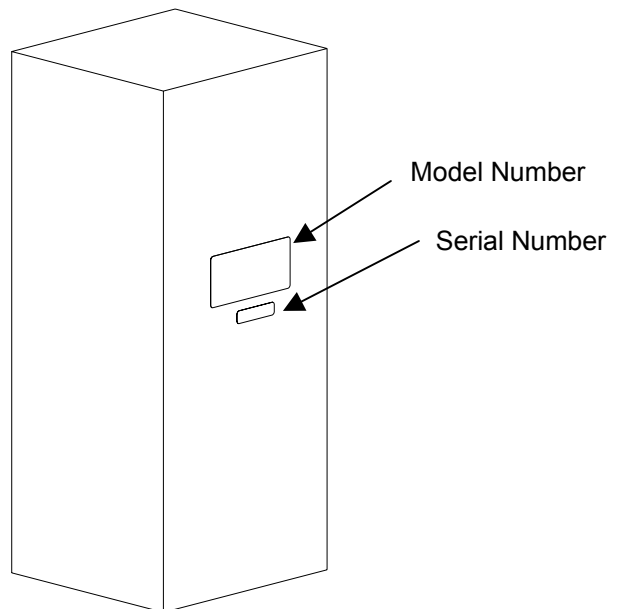
WARNING: Procedures and techniques which, if not carefully followed, will expose the user to the risk of fire, serious injury, illness or death.

IMPORTANT INSTRUCTIONS

If you have any questions about our products please have the product model and serial numbers available upon calling Dimplex customer service. To locate the model and serial number labels see below.



Firebox



Carton

NOTE

A 15amp, 120 volt circuit is required. A dedicated circuit is preferred but not essential in all cases. A dedicated circuit will be required if, after installation, the circuit breaker trips or the fuse blows on a regular basis when the heater is operating. Additional appliances on the same circuit may exceed the current rating of the circuit breaker.

WARNING

Placing heavy objects on top of this fireplace may cause damage or injury.

Maximum suggested weight to be placed on top of unit is 25 lbs/11 kg.

Do not use fireplace as a seat or step.

WARNING

Ensure the power cord is not installed so that it is pinched or against a sharp edge and ensure that the power cord is stored or secured to avoid tripping or snagging to reduce the risk of fire, electric shock or injury to persons.

Construction and electrical outlet wiring must comply with local building codes and other applicable regulations to reduce the risk of fire, electric shock and injury to persons.

Do not attempt to wire your own new outlets or circuits. To reduce the risk of fire, electric shock or injury to persons, always use a licensed electrician.

WARNING

The supplied mounting brackets are designed for use with Dimplex corner wall mounted fireplaces only. Improper use, or use for purposes other than intended, may cause damage or injury.

CORNER WALL MOUNTED ELECTRIC FIREPLACE INSTALLATION

WARNING

Failure to install the corner wall mounted electric fireplace as instructed below may result in damage to the equipment and or may expose the user to the risk of fire, serious injury, illness or death.

WARNING

The corner wall mounted electric fireplace requires each wall mounting bracket to be installed into a minimum of one wall stud.

TOOLS

Drill, 1/2" drill bit, slotted screwdriver, angle divider, stud locator.

NOTE

For optimum installation the corner wall mounted electric fireplace should be installed in a 90° corner $\pm 3^\circ$. The use of washers (included) may be required if the corner is not within the specified tolerance.

1. Select the desired corner near an electrical outlet. (power cord length is 5 feet)
2. Ensure the front of the unit when installed is at least 3 feet (0.9m) from combustible materials, such as furniture, pillows, bedding, papers, clothes, and curtains.
3. Mount the unit in the corner with the bottom trim being at a minimum of 15" (mounting bracket 50") above the floor. (FIGURE 1 & 2)

NOTE

It is recommended that the bottom trim of the unit not be mounted higher than 18" from the ground (mounting bracket no higher than 53"). (FIGURE 1 & 2)

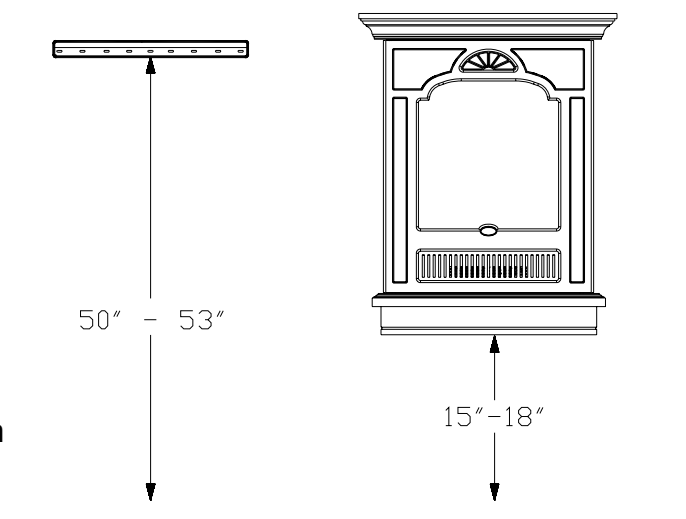


FIGURE 1

FIGURE 2

4. To mount the unit so that the wall outlet is hidden, mount the bracket 30"- 33" above the top of the outlet. (FIGURE 3)
5. Use a stud locator to determine the location of the studs in the corner.
6. Mark the stud locations on the wall.
7. Position mounting brackets on wall and align with wall stud markings.

NOTE

Ensure that each mounting bracket is installed into at least one wall stud.

NOTE

When installing into one wall stud use one of the center locations as indicated in FIGURE 6.

NOTE

When installing into two wall studs use the outer locations as indicated in FIGURE 7.

8. Choose the center marking and place the bubble level onto the top of the wall mounting bracket.
9. Adjust the wall-mounting bracket so the bubble on the level is centered between the two black lines.
10. Mark the other two mounting screw locations on the wall bracket ensuring that the wall bracket stays level.
11. Drill $\frac{1}{2}$ " holes into the wall on the marked locations where wall anchors are to be installed.

(FIGURE 4)

NOTE

Do not drill $\frac{1}{2}$ " holes into the wall where the studs have been located.

12. Squeeze the wall anchor together and insert the wall anchors into the $\frac{1}{2}$ " holes in the wall.

(FIGURE 5)

13. Insert the wall anchor screws through the wall bracket and thread into the wall anchors. The screws should extend beyond the wall anchors.

Tighten the screws. (FIGURE 5)

14. Install the remaining screw(s) into the wall stud(s) as required.

15. Repeat steps 8 to 14 for 2nd bracket.

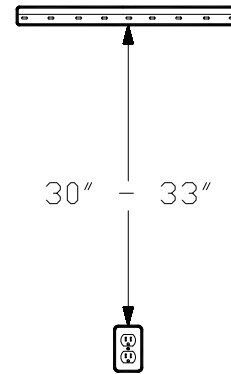


FIGURE 3

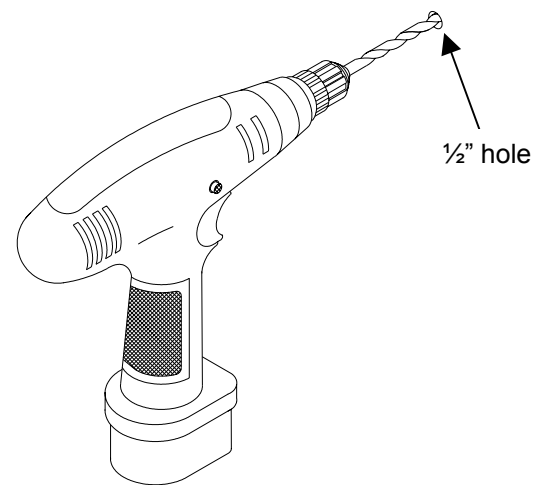


FIGURE 4

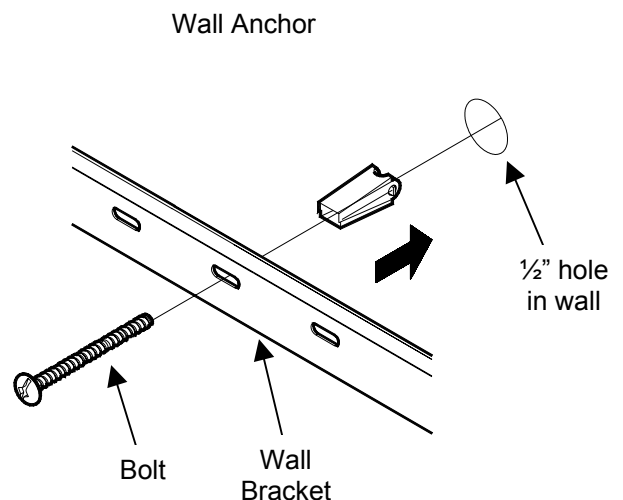


FIGURE 5

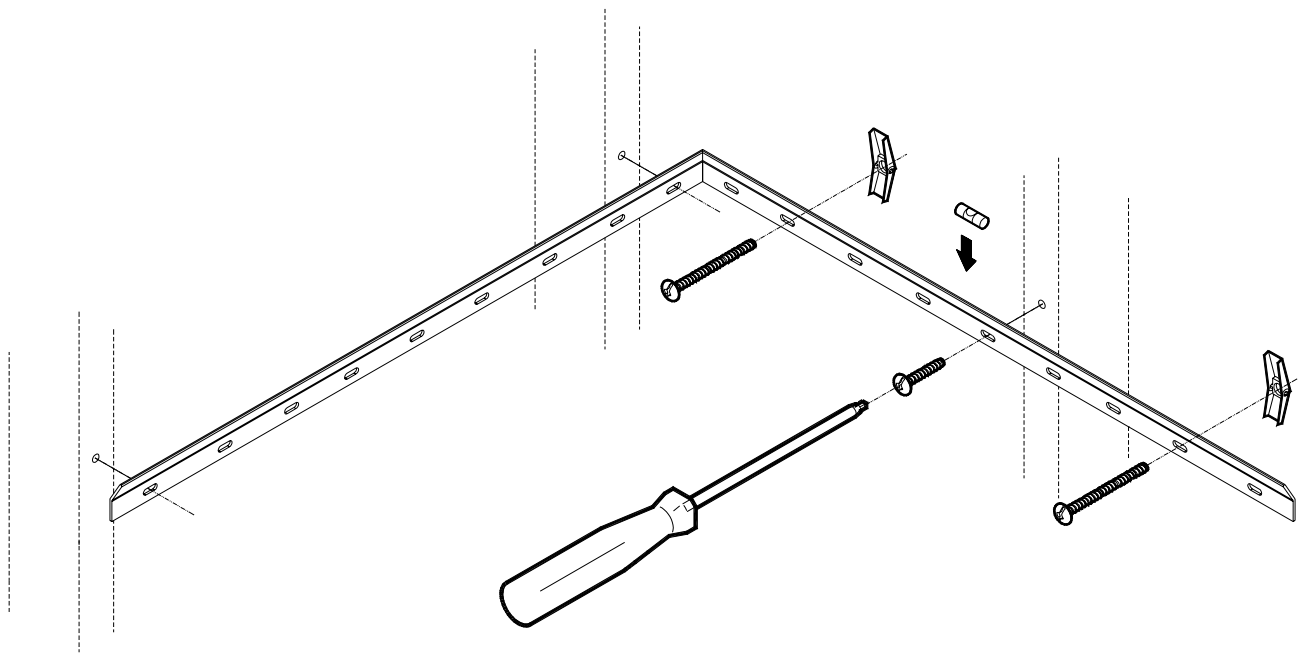


FIGURE 6

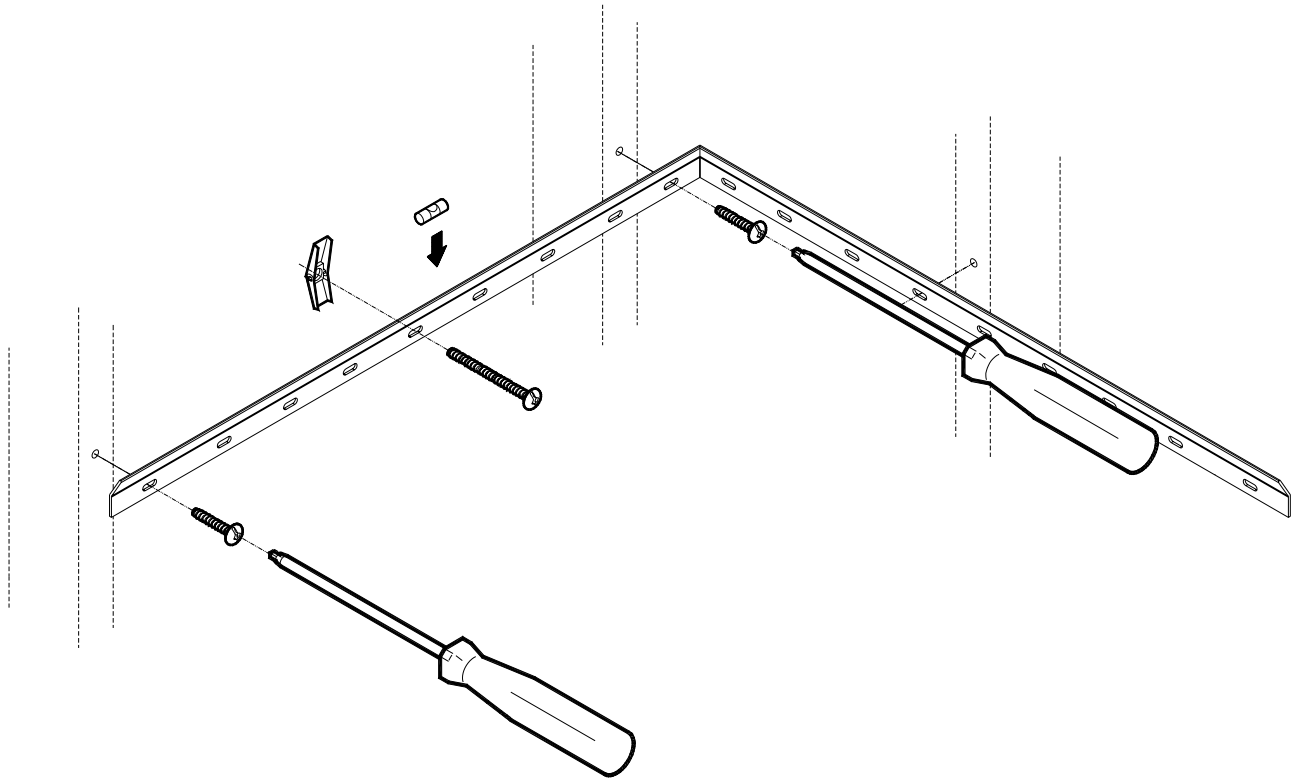


FIGURE 7

UNIT INSTALLATION

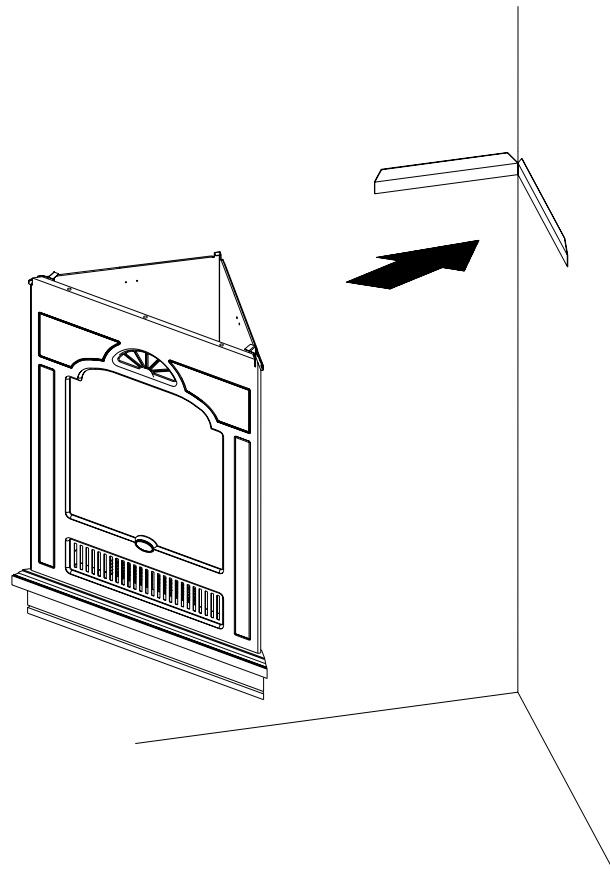


FIGURE 8

SECURING DECORATIVE TOP PANEL TO UNIT

NOTE

Secure decorative top panel to unit after installing unit to wall.

NOTE

Top panel brackets are left loose by the manufacturer in order to be adjusted to match the engaging holes in the back panel.

TOOLS

Slotted screwdriver

1. Place decorative top panel on top of unit.
2. Open door to achieve access to top panel brackets.
3. Align top panel brackets with holes on back panel.
4. If required, adjust top panel to achieve a consistent gap above the door.
5. Secure decorative top panel to unit with (2) screws per bracket. (screws included)
6. Tighten remaining 4 screws on decorative top panel.

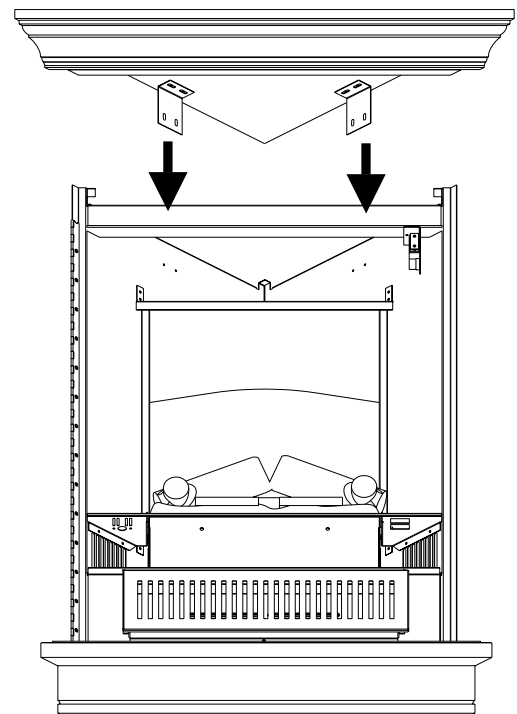


FIGURE 9