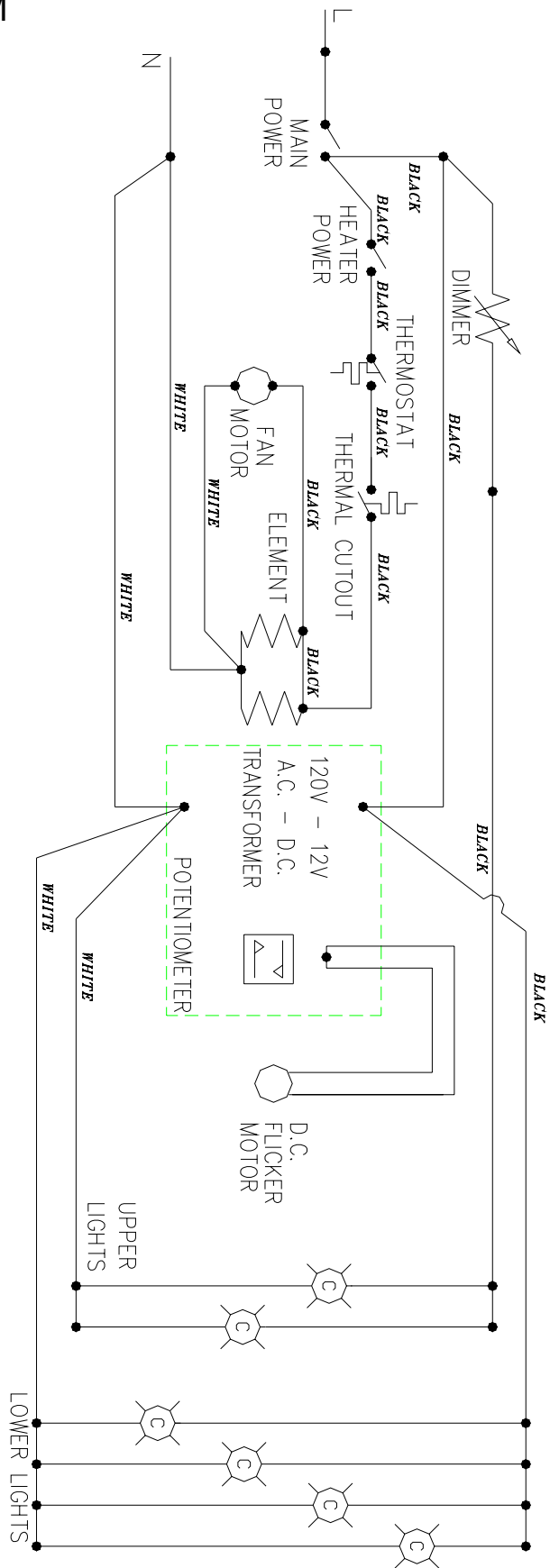


SF2603, EF2604, BF5000NT

SF2603, EF2604, BF5000NT

WIRING DIAGRAM



SF2603, EF2604, BF5000NT

## REPLACEMENT PARTS

FIREPLACE, 26"-NO BRICKS, 3D FLAME

| <b>REPLACEMENT PART</b>           | <b>REPLACEMENT PART NO.</b> |
|-----------------------------------|-----------------------------|
| 1. GLASS, TEMPERED BRONZE         | 5900000100RP                |
| 2. GRILL LOUVERED ASS'Y           | 1006720159RP                |
| 3. LAMPHOLDER (LOWER LIGHTS)      | 4200120500RP                |
| 4. LAMPHOLDER (UPPER LIGHTS)      | 4200120600RP                |
| 5. MOTOR, ELECTRIC                | 3000240200RP                |
| 6. REFLECTOR ASS'Y, ROTATING      | 5900080300RP                |
| 7. CORD SET                       | 4100090104RP                |
| 8. SPEED CONTROL                  | 3100010200RP                |
| 9. LIGHT DIMMER                   | 3000250100RP                |
| 10. GLASS, SEMI-SILVERED - MIRROR | 5900060100RP                |
| 11. LOG                           | 0437960100RP                |
| 12. ON/OFF SWITCH                 | 2800070200RP                |
| 13. HEATER SWITCH                 | 2800070200RP                |
| 14. THERMOSTAT                    | 2300150100RP*               |
| 15. KNOB                          | 8800000300RP                |
| 16. HEATER ASSEMBLY               | 2200490200RP                |